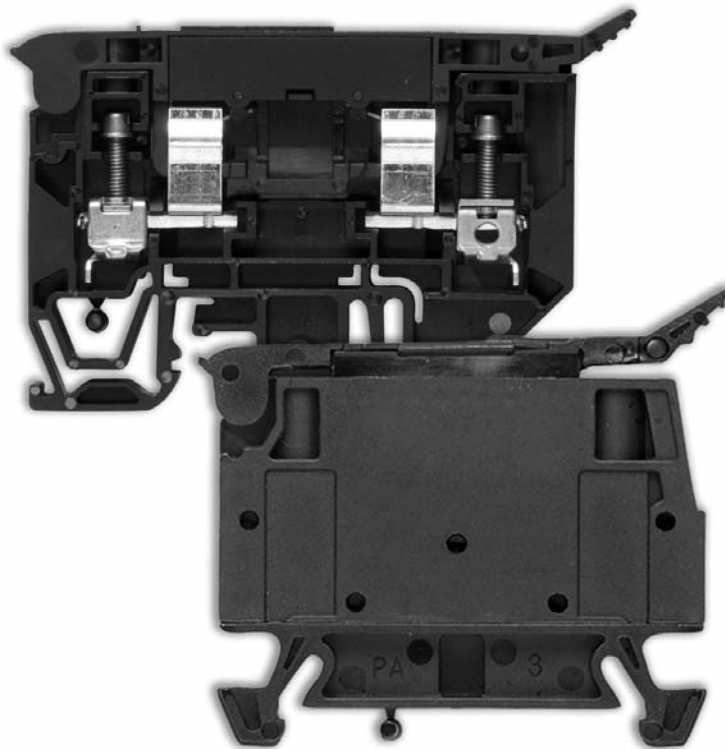


**Fuse terminal 5 x 20 mm and 1 1/4" x 1/4"
with screw connection technology (clamping yoke)
WSI 4, 5 x 20 mm
WSI 4/2, 1 1/4" x 1/4"**

NEW



The new WSI 4 and 4/2 fuse terminal series offers you a compact solution for implementing short-circuit and overload protection utilizing 5 x 20 mm and 1 1/4" x 1/4" fuses.

- Standard screw clamp technology to accommodate maximum 10 AWG conductors
- Blown fuse indication by means of LED voltage ranges (10 - 250 V)
- Combi-foot for mounting on TS 32 and TS 35 DIN-rails (WSI 4/2 only)
- Special interlocking of levers for multiple phase disconnection
- Large marking area to accommodate standard WS and DEK markers

Canada

Weidmüller, Canada
10 Spy Court
Markham, Ontario L3R 5H6
Telephone: (800) 268-4080
Facsimile: (905) 475-2798
Email: info1@weidmuller.ca
Website: www.weidmuller.ca

Mexico

Weidmüller, Mexico
Blvd. Hermanos Serdán 698
Col. San Rafael Oriente
Puebla, Puebla, Mexico
C.P. 72029
Telephone: 01 222 2686267
Facsimile: 01 222 2686219
Email: clientes@weidmuller.com.mx
Website: www.weidmuller.com.mx

United States

Weidmüller
821 Southlake Blvd.
Richmond, Virginia 23236
Telephone: (800) 849-9343
Facsimile: (804) 379-2593
Email: info@weidmuller.com
Website: www.weidmuller.com

Weidmüller 

Fuse terminal

WSI 4

4 mm²

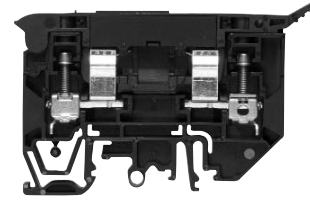
WSI 4/2

4 mm²

Fuse terminal 5 x 20 mm



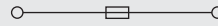
Fuse terminal 1 1/4" x 1/4"



Width/Length/Height with TS35x7.5	mm
Width/Length/Height with TS32x15	mm
Max. current / max. cond. cross-section	A/mm ²
Max. clamping range	mm ²

8 x 50.7 x 39.4

15 / 4
0.05 ... 4



9.1 x 81.6 x 54

9.1 x 81.6 x 58.5

15 / 6
0.05 ... 6



Technical data

Rated data	
Rated voltage / to adjoining terminal	V
Rated current / to adjoining terminal	A
Rated cross-section	mm ²
Rated impulse voltage / Pollution severity	kV/-
Plug gauge IEC 60-947-1 / flammability class acc. UL94	
Approvals	

Clampable conductors (H05V/H07V)

Solid / stranded	mm ²
Flexible / flexible w. wire end ferrule	mm ²
Tightening torque range (clamping screw)	Nm
Stripping length / blade size	mm / -

2 clampable conductors of equal cross-section

Solid / stranded	mm ²
Flexible / flexible w. wire end ferrule	mm ²

Ordering Data

Version	
black Wemid	without LED
	10 - 36 V
	30 - 70 V
	60 - 150 V
	140 - 250 V

IEC 60947-7-3 / VDE 0100-537

IEC	UL	CSA	EN 60079-7
500	300	300	
12	15	15	
4	AWG 22...12	AWG 22...12	
6 / 3			
A3 / V-0			



Rated connection

0.5...4 / 0.5...4
0.5...4 / 0.5...4
0.5...0.6 (M 3)
8 / 0.6 x 3.5

IEC 60947-7-3 / VDE 0100-537

IEC	UL	CSA	EN 50019
500	300	300	
15	15	15	
4	AWG 30...10	AWG 30...10	
6 / 3			
A3 / V-0			



Rated connection

0.2...6
0.2...4
0.5...0.6 (M 3)
10 / 0.6 x 3.5

0.34...2.5
0.34...2.5 / 0.34...1.5

Accessories

Fuse cartridges 1 1/4" x 1/4" without indicator

33 kA breaking capacity	E 0.5 A
(F) = fast	E 1 A
	E 2 A
Nominal voltage (V)	E 3 A
440 V	E 5 A
	E 7 A
	E 10 A
	E 12.5 A

Fuse cartridges 5 x 20 mm (IEC 60127-2)

Rated voltage 250 V	0.25 A quick-blow
Rated breakage capacity 1500 A (at 250V / 50Hz / cos j = 0.7)	0.5 A quick-blow
	1 A quick-blow
	2 A quick-blow

External jumper comb

Insulated

End plate / partition

black Wemid

End bracket

dark beige

Screwdriver

Standard version

Marking systems

Tags

Type	Part No.
WSI 4	1886580000
WSI 4/LD 10 - 36 V AC/DC	1886590000
WSI 4/LD 30 - 70 V AC/DC	1886560000
WSI 4/LD 60 - 150 V AC/DC	1886570000
WSI 4/LD 140 - 250 V AC/DC	1886550000

Type	Part No.
WSI 4/2	1880430000
WSI 4/2/LD 10 - 36 V AC/DC	1880410000
WSI 4/2/LD 30 - 70 V AC/DC	1880440000
WSI 4/2/LD 60 - 150 V AC/DC	1880420000
WSI 4/2/LD 140 - 250 V AC/DC	1880390000

Type	Current [A]	Part No.

Type	Current [A]	Part No.
GZ 0.5A/F	0.5	0533800000
GZ 1.0A/F	1	0525500000
GZ 2.0A	2	0294500000
GZ 3.0A	3	0295700000
GZ 5.0A	5	0294600000
GZ 7.0A	7	0295800000
GZ 10.0A	10	0293900000
GZ 12.5A/FF	12.5	0245400000
Dummy fuse	15	1582770000

Type	Current [A]	Part No.
G 20/0.25A/F		0430500000
G 20/0.5A/F		0430600000
G 20/1A/F		0430700000
G 20/2A/F		0430900000
Type	Current [A]	Part No.
QB/WSI 4, 2-pole (8 mm)	15	0461100000
QB/WSI 4, 3-pole (8 mm)	15	0461200000
QB/WSI 4, 4-pole (8 mm)	15	0461300000

Type	Current [A]	Part No.
QB/WSI 4/2, 10-pole (9 mm)	30	67603346

Width [mm]		
Not Required		

EW35	0383560000 (TS 35)
------	--------------------

WAP WSI 4/2	2.5	1880450000
-------------	-----	------------

EW35	0383560000 (TS 35)
------	--------------------

EWK 1	0206160000 (TS32)
-------	-------------------

SD 0.6X3.5X100	9008330000
----------------	------------

SD 0.6X3.5X100	9008330000
----------------	------------

WS 12/6.5 MC	1609920000
--------------	------------

WS 12/6.5 MC	1609920000
--------------	------------

DEK 5/6 MC	1609820000
------------	------------

DEK 5/6 MC	1609820000
------------	------------